
ITU Spectrum Management Training Program (SMTP)

Addressed problem

- Efficient running of Spectrum Management (SM) requires well educated professionals;
- Today there are no formal holistic SM education programmes;
- Spectrum managers must also have a clear understanding of legal and economic issues;
- Large institutions train SM staff by seconding them to experienced workers, but this offers narrowed vision and no formal quality check. This is not possible in smaller institutions.

The solution: Smtp

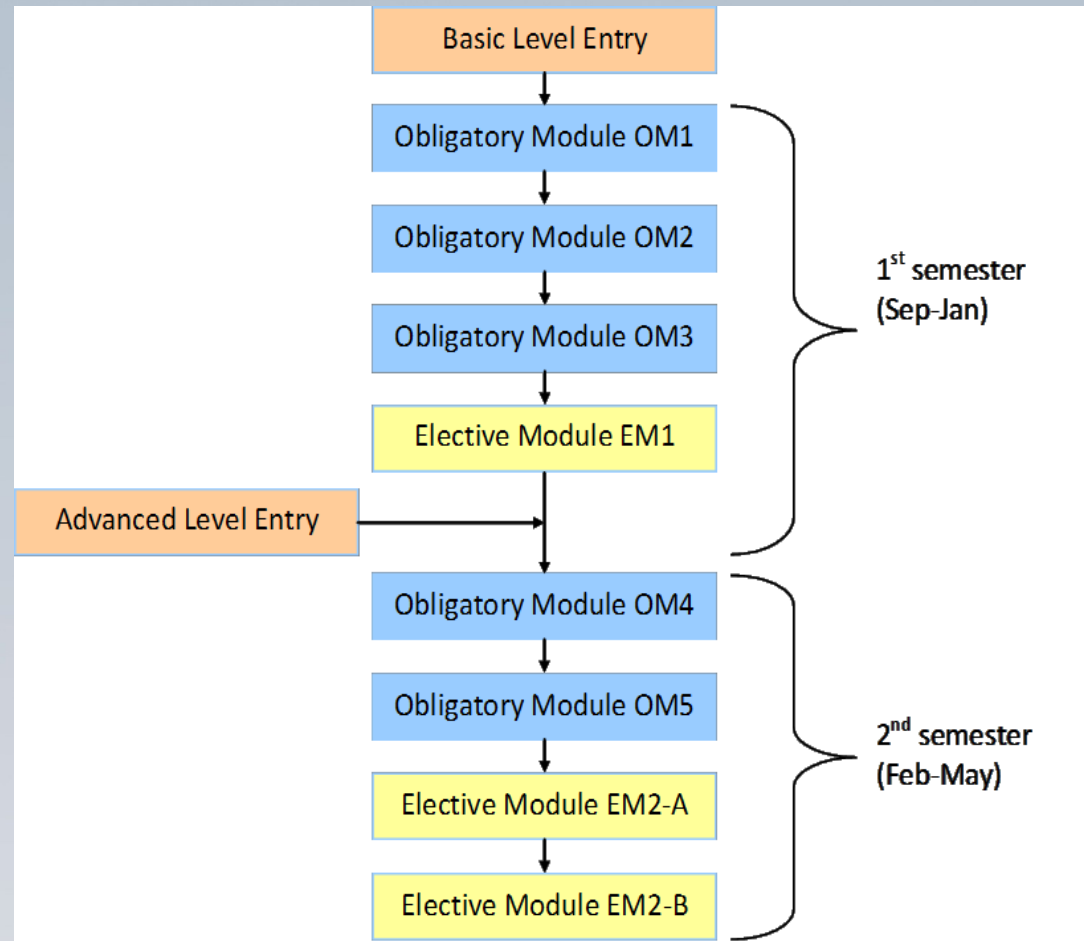
- First in a series of ITU training programmes
- It offers access to SM training and forward-looking professional vision
- Full set of high level materials prepared by high caliber subject-matter experts
- Materials sanitized through Quality Assurance Mechanism
- Designed for anyone either a beginner or a specialist
- Provision of certain level of knowledge
- Different certification options
- International recognition, with possible option of university credits/diploma

Programme objectives

- Provide ITU membership with capacity building solutions in SM
- Provide access to the latest learning tools
- Build human and institutional capacity by designing and making available high quality training materials

The vision

- Two entry levels
- Specialisation possibility:
 - Technical
 - Legal/economic
- Accordingly structured set of obligatory modules and specialised electives.



COMPOSITION OF THE PROGRAMME

BASIC LEVEL

Obligatory Modules (OM):

- OM1 “Legal Basis and Regulatory Framework of SM”
- OM2 “Spectrum Engineering Fundamentals”
- OM3 “Wireless Telecommunications Technologies”

Elective Module 1 (EM 1) includes 6 options:

- EM1-1 “Spectrum Monitoring”
- EM1-2 “Enforcement and Type Approval of Equipment”
- EM1-3 “SM for Satellite Systems”
- EM1-4 “SM for HF Systems, Science, Maritime and Amateur Services”
- EM1-5 “SM for Aeronautical and Radio Determination Services and Military Systems”
- EM1-6 “Computer-aided Spectrum Management”

COMPOSITION OF THE PROGRAMME

ADVANCED LEVEL

Obligatory Modules (OM):

- **OM4** “Economic and Market Tools of Spectrum Management”
- **OM5** “Strategic Planning and Policies for Wireless Innovation”

Elective Module 2 (EM2):

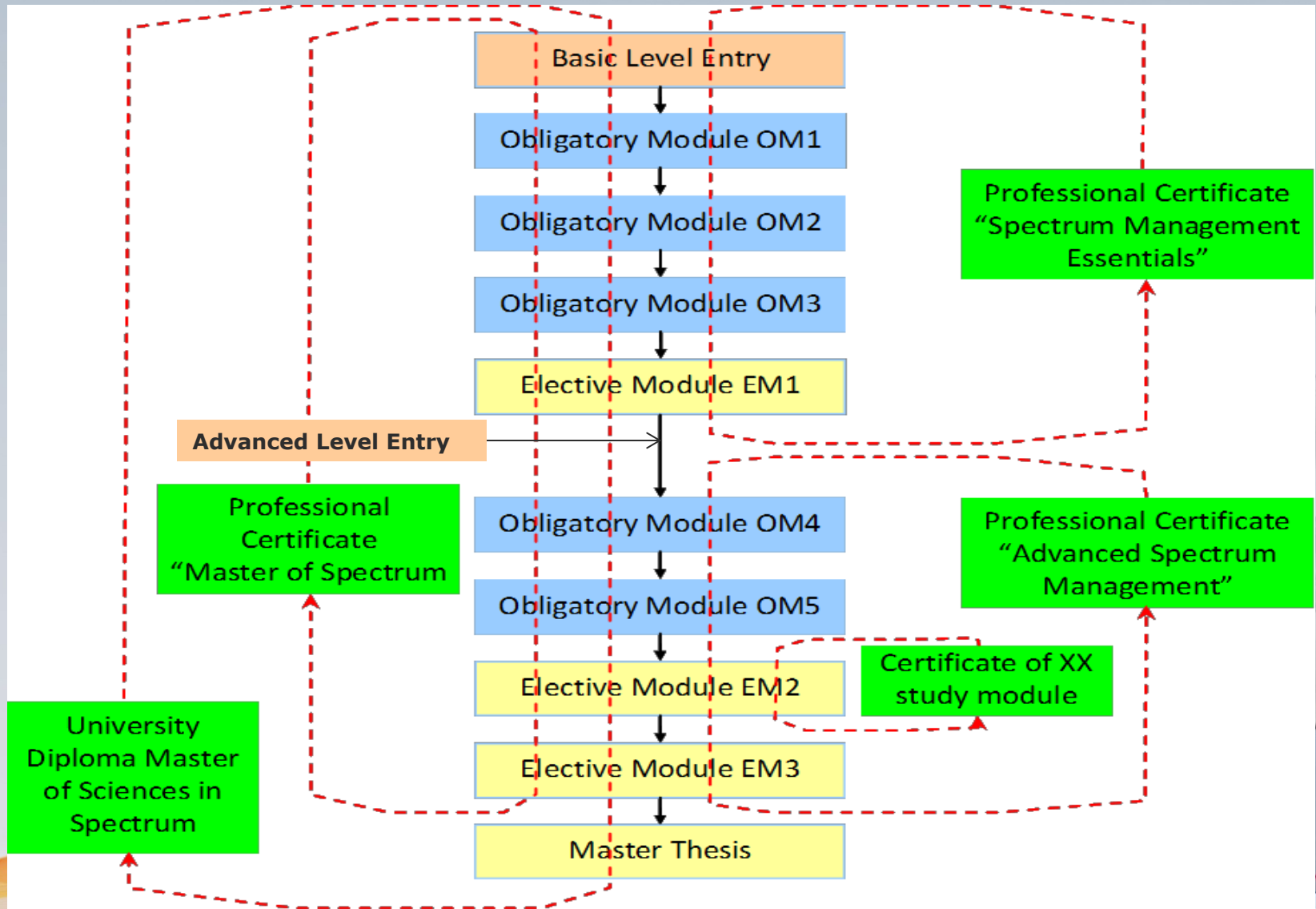
Legal Specialization:

- **EM 2-1** “Advanced Spectrum Authorization Regimes”
- **EM 2-2** “Socio-Economic Impact of Spectrum Regulation; Competition and Consumer Protection”

Technical Specialization:

- **EM 2-3** “Terrestrial TV Broadcasting Planning and Digital Transition”
- **EM 2-4** “Opportunistic Spectrum Access and Cognitive Radio”

Flexible certification routes



Conclusions

- The SMTP is a first high quality training solution in the domain of SM
- SMTP will be a part of the ITU Academy library
- SMTP will help to bridge the SM gap and will provide necessary tools and skills

<http://academy.itu.int/news/item/1077/>

- Pilot test: end of 2014

<https://academy.itu.int/news/item/1593/>

ITU CONTACTS links:

<http://academy.itu.int>

And BDT

sbd@itu.int